

# QUICKCHANGE

qc

 SWECO

®

## SWECO® QUICKCHANGE™ TECHNOLOGY

REDUCES SCREEN CHANGING TO A  
ONE-PERSON OPERATION WITH  
ONE-MINUTE SCREEN CHANGES.



QUICKCHANGE™ NV

# 3 QUICKCHANGE™ SOLUTIONS

Reduces the time needed to change screens by up to 75%

## FAST SCREEN CHANGING SYSTEMS

Screen changes have never been easier or faster than with the operator-friendly QuickChange™. Reducing screen changing to a one-person operation, the QuickChange systems greatly reduce the necessary labor of changing screens and eliminates the need to involve maintenance crews.

SWECO offers three QuickChange Systems from which to choose depending on what best fits the capabilities of your facility.

All three solutions allow users to access the screens quickly and easily for screen replacement. All systems are available on new units and for field retrofit.

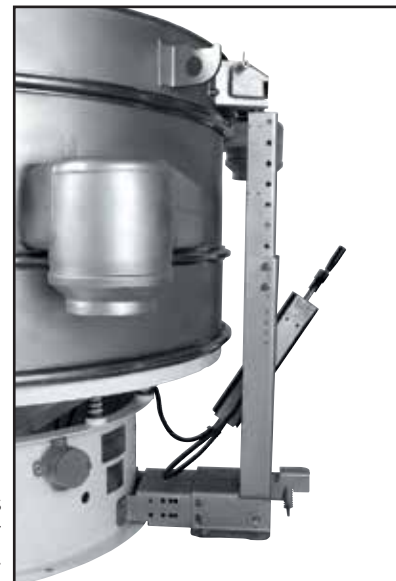
## MOUNTING OPTIONS

Adaptable to a variety of machine sizes and configurations, the QuickChange Systems allow for two separate types of mounting systems on your separator. Depending on the system, QuickChange can provide as much as a 12-inch opening between frames to easily remove and replace the screen.



### COVER MOUNTED

The cover mount design can be attached to any metal cover assembly.



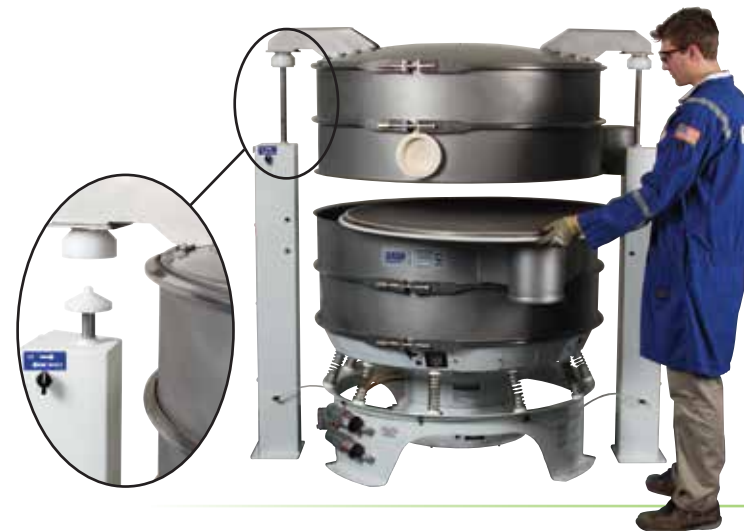
### FRAME MOUNTED

The frame mount design attaches directly to the side of any six-inch or larger frame.

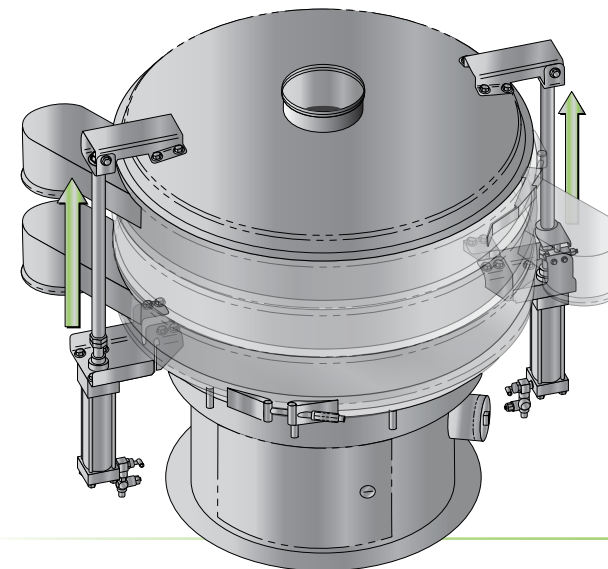
## HOW IT WORKS



**QUICKCHANGE NV:** The QuickChange NV utilizes a set of closed loop hydraulic lifters, which are mounted to the base of the unit or to the plant floor. Brackets are mounted on either the side of the top frame or on the cover. These mounting systems are designed to lift the frame or cover and any additional frames that remain attached. After the removal of the clamp band from the frame level in which the screen will be replaced, the lifters are tilted toward the machine to engage the brackets on the top frame or on the cover for lifting. A hand operated pump lifts the frame(s)/cover above the screen for easy removal.



**QUICKCHANGE PT:** The QuickChange PT features two air cylinders that are self-contained within towers mounted independently on each side of the unit. With a simple flip of a switch, the end of the cylinder rods raise up from the towers to engage a bracket on the cover or frame and lift the frame stack. The screen on the level at which the clamp ring was removed can then be removed and replaced.



**QUICKLIFT:** The QuickLift features two air cylinders mounted to the base of the unit with brackets mounted on either the side of the top frame or on the cover. With a push of a button, the cylinder rods lift the cover/frame(s) down to the level at which the clamp ring was removed. The screens can then be removed and replaced. Another button will lower the cylinder rods back into place to resume production.



# ONE-PERSON SCREEN CHANGES

## BENEFITS

Saves thousands in lost production by improving inspection

Reduces screen changes to a one-person operation, reducing down-time and limiting maintenance calls

Eliminates frame handling, reducing frame damage

## FEATURES

Operated simply by turning a handle, flipping a switch, or pushing a button

Available as frame or cover mounted systems

Retrofit kits available for all SWECO and most competitive round separators

Available with SWECO Avalanche frames, Flow-Thru Separators and PSI Sifters

	<b>Available Diameters</b>	<b>Opening Between Frames</b>
QuickChange NV	30", 40", 48", 60" & 72"	Up to 6-inch or 12-inch
QuickChange PT	48" & 60"	Up to 6-inch
QuickLift	24" & 30"	Up to 3-inch



SWECO has sales agents and/or licensees in most countries.

### **Manufacturers worldwide rely on SWECO.**

We span five continents with 9 manufacturing and support facilities and over 100 sales and service representative offices.

So, wherever you are, be assured that SWECO – the global leader in screening technology – is there when you need us.