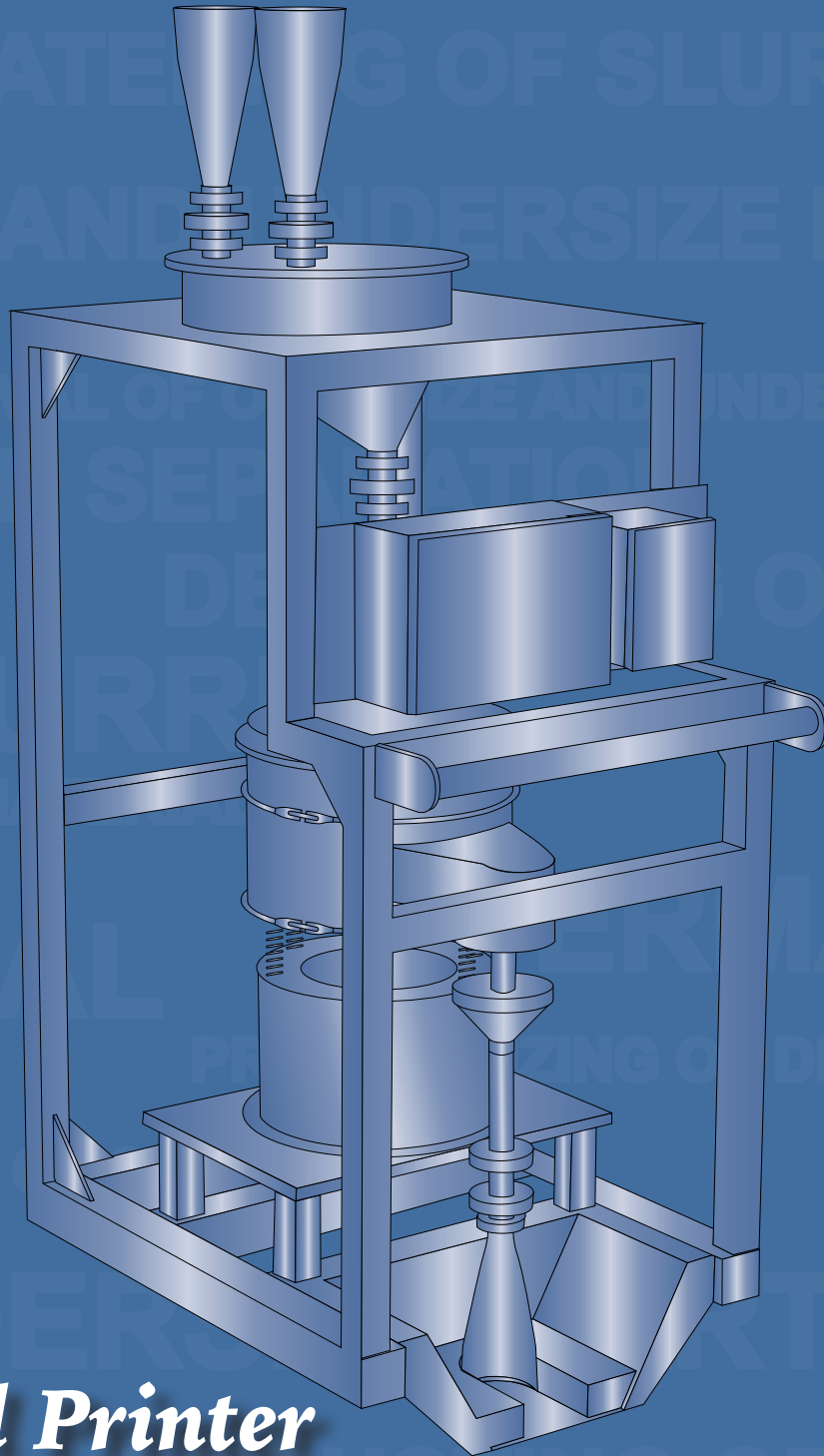




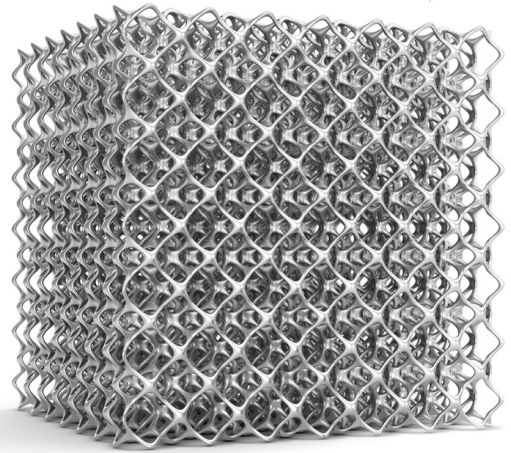
SWECO® 3dMP SCREENER



***3D Metal Printer
Screening System***

SWECO

YOUR CUSTOM SOLUTIONS PROVIDER IN ADDITIVE MANUFACTURING.



SWECO, the world leader in separation technology, introduces the 3D Metal Printer (3dMP) Screener System. This innovative design collects, screens, and rebottles reclaimed metal powder from 3D metal printers. The 3dMP Screener System is totally integrated, eliminating multiple operations and any material handling. The system is set up to feed in the used metal powder with agglomerates and discharge screened metal powder ready to be reused or mixed with virgin material.

Quick Processing Time

The 3dMP can screen a bottle of metal powder material in under 5 minutes as opposed to other processes that can take up to an hour or more.

Compact and Portable

The 3dMP is a compact system that can fit into tight spaces and takes up very little floorspace. And the system has been designed with casters for portability so you can easily move the 3dMP to multiple work stations around your facility.

Integrated Custom Controls

The 3dMP features integrated custom designed controls for both the Vibro-Energy Round Separator and the Sono-Wave Ultrasonic Screening System. There is also the option for the controls to interface with other systems and equipment in your process, including the 3D printer itself.



Totally Enclosed & Sanitary

The 3dMP is completely enclosed, minimizing the chance of product spillage or exposure to the operators. The metal powder is fed into the hopper which feeds the separator. The hopper and separator are connected via a BFM® Connector providing a sanitary connection and a no-tools, quick disconnect. Product contact areas come standard with complete ground welds and a polished (12-25 Ra) surface. Other finishes are available if required.



Customized Solutions

The 3dMP can be customized to be integrated directly with your 3D Printer or to 'feed from' and 'discharge to' any size 3D printer metal powder bottle. SWECO engineers can design a system to your exacting standards to provide a solution to fit your process.



Versatile Feed Hopper

The feed hopper on the 3dMP can be modified to accept multiple bottles so that loading can be done while unit is in operation. The system can be customized with a hopper loading system to load the material directly from single or multiple printers. The hopper features a manual shut off valve with the option of level sensors, oxygen sensors, and automated valves.



3dMP

HIGH QUALITY SYSTEM COMPONENTS TO SIMPLIFY YOUR PROCESS.

Vibro-Energy® Round Separator

SWECO has been engineering solutions since 1917. In 1942, the Vibro-Energy Round Separator was patented, and every year since we have strived to perfect the design to fit our customers' changing needs.

Available in 18" to 72" diameters with single or multiple screening decks, the separator is a proven design with extremely rugged construction engineered for years of service.

The separator includes a motion generator that comes standard with adjustable top and bottom eccentric weights so that the separator can be customized to any application to maximize throughput and efficiency. Additionally, quick-release components are available to make the separator easy to disassemble and reassemble for quick and easy cleaning.

SWECO's extensive database of engineering designs allows us to "plug-and-play" with these components to develop the solution that is right for you.



Sono-Wave™ Ultrasonic Screening System

The Sono-Wave Ultrasonic Screening System provides high efficiency screening for near size uniform particles like metal powders. This continuous screen deblinding action is accomplished by 1-2 micron flexes in the screen mesh at a rate of 32,000 to 37,000 times per second.

- Designed for sanitary use
- Utilizes components to simplify any process
- Tri-clover fittings allow for quick and easy disassembly for cleaning and servicing
- The Sono-Wave converter is located outside of the screening area and does not contact the product
- Screen frames can be re-screened multiple times reducing screen costs





SWECO EUROPE S.A.
 Rue de la Recherche, 8
 Parc Industriel Sud - Zone 1
 B-1400 Nivelles, Belgium
 Tel: +32 (67) 89 34 34
 Fax: +32 (67) 21 43 68
europa@sweco.com



SWECO INDIA
 Building 1-C, Shreenath
 K. T. Industrial Park I
 Village Billalpada Gauripada
 Vasai (East), Dist: Thane- 401208 India
 Phone: +91 250 3217283
india@sweco.com



SWECO HEADQUARTERS
 8029 U.S. Highway 25
 Florence, KY 41042 USA
 Toll Free: +1 (800) 80 SWECO
 Tel: +1 (859) 283-8400
 Fax: +1 (859) 283-8469
info@sweco.com



SWEQUIPOS, S.A. DE C.V.
 Fernando Montes de Oca 21, Piso 1
 Col. Industrial San Nicolás
 54030 Tlalnepantla, Estado de Mexico
 Phone: +52 (5) 55 5321 9800
 Fax: +52 (5) 55 5310 3358
epsa@avante.net



SWECO ASIA
 63 Hillview Ave. #03-02
 Lam Soon Industrial Bldg.
 Singapore 669569
 Tel: +65-6762-1167
 Fax: +65-6762-1313
sales.asia@sweco.com



Macon, Georgia
 USA



Edinburgh
 Scotland



Shanghai
 China



Berra
 Italy



Victoria
 Australia



We Put Technology In Motion™

www.sweco.com
grinding@sweco.com

SWECO has sales agents and/or licensees in most countries.