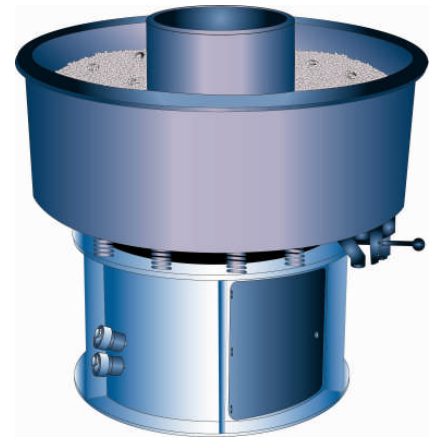


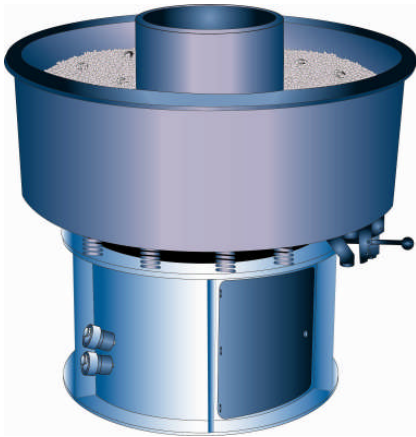


SWECO VIBRO-ENERGY FINISHING MILLS

SPIRAL SERIES: CONTINUOUS INTERNAL SEPARATION MILLS



	FMS-5LR	FMS-14LR	FMS-20LR
Capacity	5 cu. ft. (1,500 lbs load capacity)	14 cu. ft. (4,200 lbs load capacity)	20 cu. ft. (6,000 lbs load capacity)
Maximum Straight Part Length	12"	14" or more, depending on part cross section and batch size.	18" or more, depending on part cross section and batch size.
Motion Generator	5 hp, T.E.N.V., 1200 RPM, 3-phase 230, 460 or 575 volt. 60 Hz.	10 hp, T.E.N.V., 1200 RPM, 3-phase 230, 460 or 575 volt. 60 Hz	20 hp, T.E.N.V., 1200 RPM, 3-phase 230, 460 or 575 volt. 60 Hz. Recirculating oil lubrication system.
Vibrilite Bowl or Lining	Chamber - all cast polyurethane elastomer with 1" minimum thickness in high wear areas.	Abrasion-resistant lining of cast polyurethane with 3/4" minimum thickness in high wear areas	Abrasion-resistant lining of cast polyurethane with 1" minimum thickness in high wear areas
Shipping Weight	Approx 1,300 lbs. (Including Control Panel.)	Approx 3,800 lbs. (Including Control Panel.)	Approx 6,500 lbs. (Including Control Panel.)

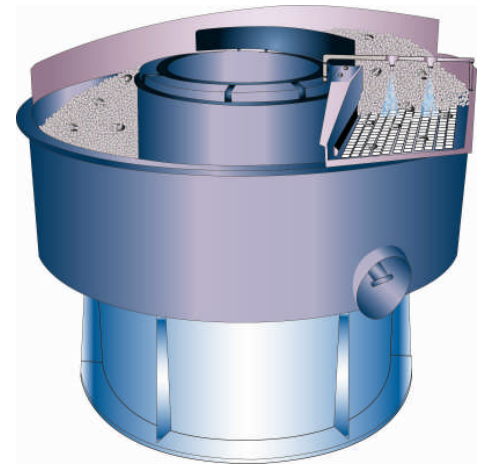


BATCH TYPE SERIES

	FM-1.2C	FM-3C	FM-10V&10C	FM-20HA
Capacity	1.2 cu. ft. (360 lbs load capacity)	3 cu. ft. (900 lbs load capacity)	14 cu. ft. (4,200 lbs load capacity)	20 cu. ft. (6,000 lbs load capacity)
Maximum Straight Part Length	9"	12"	24"	30"
Motion Generator	1/3 hp, T.E.N.V., 1200 RPM, Single phase 115 volt; 3-phase 230, 460 or 575 volt. 60 Hz.	1 1/4 hp, T.E.N.V., 1200 RPM, 3-phase 230, 460 or 575 volt. 60 Hz.	5 hp, T.E.N.V., 1200 RPM, 3-phase 230, 460 or 575 volt. 60 Hz.	10 hp, T.E.N.V., 1200 RPM, 3-phase 230, 460 or 575 volt. 60 Hz.
Vibrilite Bowl or Lining	Chamber - all cast polyurethane elastomer with 3/4" minimum thickness in high wear areas.	5/16" Cast Polyurethane Elastomer	3/4" Cast Polyurethane Elastomer	3/4" Cast Polyurethane Elastomer
Shipping Weight	210 lbs. (Empty)	Approx 550 lbs	Approx 1,175 lbs.	Approx 2,500 lbs. (Including Control Panel.)



SWECO VIBRO-ENERGY FINISHING MILLS



LONG RADIUS "DLR" SERIES: AUTOMATIC INTERNAL SEPARATION MILLS

	Capacity	Maximum Straight Part Length	Motion Generator	Vibralite Bowl or Lining	Shipping Weight
FMD-1LR	1 cu. ft. (300 lbs. load capacity).	9"	1/3 hp, T.E.N.V., 1200 RPM, single phase 115 volt; 3-phase 230, 460 or 575 volt. 60 Hz. (Non-reversing).	Chamber - all cast polyurethane elastomer with 3/4" minimum thickness in high wear areas.	190 lbs (empty).
FMD-3LR	3 cu. ft. (900 lbs. load capacity).	15"	1 1/4 or 2 1/2 hp, T.E.N.V., 1200 RPM, 3-phase 230, 460, or 575 volt, 60 Hz. (Non-reversing).	Abrasion resistant lining of cast polyurethane with 3/4" minimum thickness in high wear areas.	850 lbs (empty)
FMD-4LR	4 cu. ft. (1200 lbs. load capacity).	18"	2 1/2 hp, T.E.N.V., 1200 RPM, 3-phase 230, 460, or 575 volt, 60 Hz. (Non-reversing).	Abrasion resistant lining of cast polyurethane with 3/4" minimum thickness in high wear areas.	960 lbs (empty)
FMD-7LR-2	7 cu. ft. (2100 lbs. load capacity).	20"	5 hp, T.E.N.V., 1200 RPM, 3-phase 230, 460, or 575 volt, 60 Hz. (Non-reversing).	Abrasion resistant lining of cast polyurethane with 3/4" minimum thickness in high wear areas.	Approximately 1620 lbs. (including control panel).
FMD-14LR	14 cu. ft. (4200 lbs. load capacity).	24"	5 hp, T.E.N.V., 1200 RPM, 3-phase 230, 460, or 575 volt, 60 Hz. (Reversing).	Abrasion resistant lining of cast polyurethane with 3/4" minimum thickness in high wear areas.	Approximately 2250 lbs. (including control panel).
FMD-24LR	24 cu. ft. (7200 lbs. load capacity).	36"	10 hp, T.E.N.V., 1200 RPM, 3-phase 230, 460, or 575 volt, 60 Hz. (Reversing).	Abrasion resistant lining of cast polyurethane with 3/4" minimum thickness in high wear areas.	Approximately 3800 lbs. (including control panel).

